

1 2 3 4 5 6 7 8

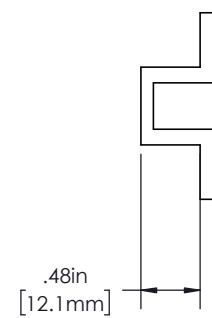
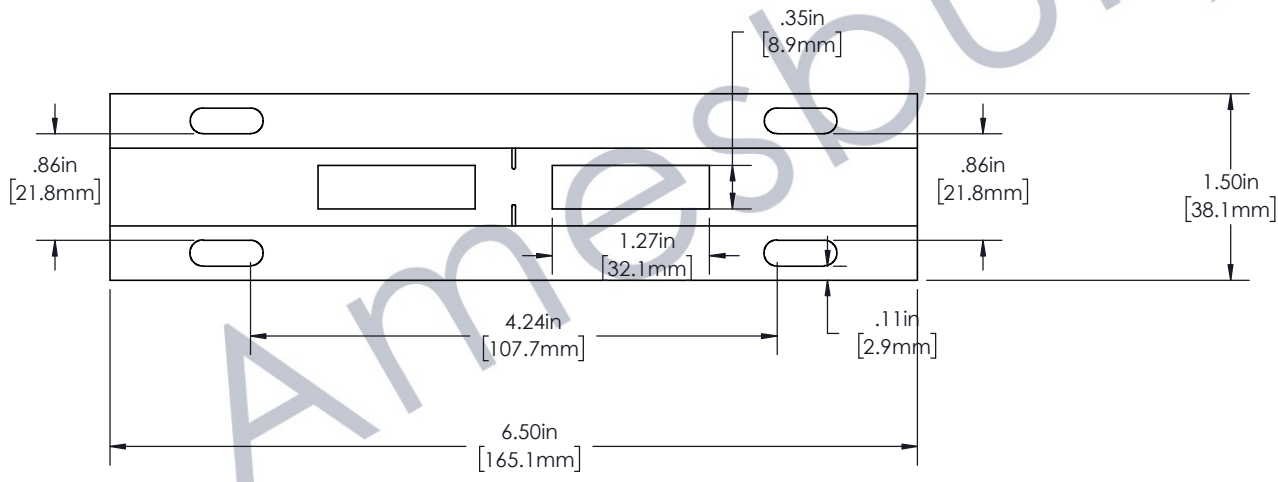
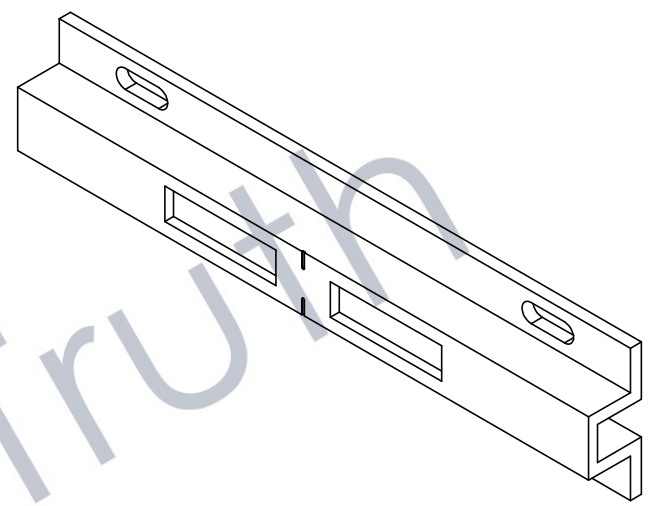
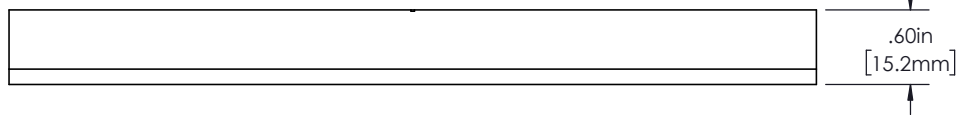
A

B

C

D

E



CUSTOMER PAGE

AmesburyTruth
Engineered Solutions. Trusted Results.

THE INFORMATION CONTAINED IN THIS DRAWING IS CONFIDENTIAL AND PROPRIETARY. THIS DRAWING IS NOT TO BE COPIED OR REPRODUCED IN WHOLE OR IN PART WITHOUT EXPRESS WRITTEN PERMISSION.

INTERPRET PER:
ASME Y14.5M-2009

UNITS: INCH

THIRD ANGLE PROJECTION

DRAWING TITLE:
NEXUS TWO-POINT RAISED LOCK KEEPER

SCALE: 1:1

DRAWING #:
33194

SHEET 1 OF 1

1 2 3 4 5 6 7 8